

Ruote Adottate per Serie 36/2-50/2-50/2FT nelle varie tipologie di Diametri, Battistrada  
 Wheels used for 36/2-50/2-50/2FT series in the various types of diameters and tyres

Ruota tipo	Wheel type	N	G	Gd	GCC	GdA	GcA	PU	SR	SRd	NSF	
Catteristiche del Battistrada Tyre characteristics	Nylon Nero Black Nylon	Gomma Grigia Grey Rubber			Gomma Conduttiva Nera Conductive Black rubber		Poliuretano Colore Arancio Polyurethane Orange Color	Gomma Sintetica Grigia Synthetic Grey rubber		Nylon Bianco White Nylon		
Durezza del Battistrada conforme UNI EN 12527 Tyre hardness in compliance with UNI EN 12527	shore A	>100	76	76	76	85	85	85	78	78	>100	
Temperature di Utilizzo Raccomandate Recommended working temperatures	Max-	+40°C	+70°C	+70°C	+70°C	+40°C	+40°C	+40°C	+60°C	+60°C	+40°C	
	Min-	0°C	-30°C	-30°C	-30°C	-5°C	-5°C	-5°C	-10°C	-10°C	0°C	
Catteristiche del Nucleo Wheel centre characteristics	Nylon Nero Black Nylon				Nylon Nero Conduttivo Conductive Black Nylon		Nylon Bianco White Nylon	Polipropilene Grigio Grey Polypropylene				
Catteristiche del Mozzo Hub characteristics	Foro Liscio Plain Bearing	Foro Liscio Plain Bearing	Tubo Parafilo Tube Threadguard	Cuscinetto a Sfera Parafilo Ball Bearing Threadguard	Foro Liscio Plain Bearing	Cuscinetto a Sfera Parafilo Ball Bearing Threadguard	Foro Liscio Plain Bearing	Foro Liscio Plain Bearing	Tubo Parafilo Tube Threadguard	Foro Liscio Plain Bearing		
Conducibilita' Elettrica conforme UNI EN 12527 Electric conductivity in compliance with UNI EN 12527	hom					-		Pn = Peso per 1 pezzo Pn = Weight for a piece				
Portata Dinamica conforme UNI EN 12527 Dynamic load capacity conform UNI EN 12527	D		Resistenza al Rotolamento (FR) alla Portata Nominale Rolling resistance (FR) at rated capacity			FR						
Portata Statica conforme UNI EN 12527 Static load capacity conform UNI EN 12527	S		Resistenza al Superamento Ostacolo (FO) alla Portata Nominale Obstacle overcoming resistance (FO) at rated capacity			H ostacolo=1% ø della Ruota Min 0,5 mm Obstacle H=1% of wheel, min. 0,5 mm						
ITEM	36LN					36LSR	36LPU					
A	36					36	36					
D	-					-	-					
S	-					-	-					
FR	-					-	-					
FO	-					-	-					
						14X2	14.5X2					
ITEM	50LN	50LG	50LGd	50LGCC	50LGdA	50LGcA	50LSR	50LPU	50230PU36	50230NSF		
A	50	50	50	50	50	50	50	50	50	50		
D	-	-	-	-	-	-	-	-	-	-		
S	-	-	-	-	-	-	-	-	-	-		
FR	-	-	-	-	-	-	-	-	-	-		
FO	-	-	-	-	-	-	-	-	-	-		
	-	45x2	53x2	42x2	45x2	74x2	14x2	30x2	-	31x1		

# Assali, Cuscinetto e Parafili per Ruote Serie 36/2-50/2-50/2FT Axles, bearings and thread guards for wheels of the 36/2-50/2-50/2FT

Raccomandazione Adozione Assali per le varie tipologie di ruote  
Recommendation for the adoption of axles in the different types of wheels

ITEM 56 -	ITEM 63 291	ITEM 71 291	ITEM 71 291	ITEM 63 291	ITEM 66 291	ITEM 63 291	ITEM 63 291	ITEM 63 291	ITEM 56 -
ITEM 63 291	ITEM 56 -	ITEM - -	ITEM - -	ITEM 56 -	ITEM - -	ITEM 56 -	ITEM 56 -	ITEM 56 -	ITEM 63 291
- -		ITEM 1000 -	ITEM - -	ITEM - -	ITEM - -	ITEM - -	ITEM - -	ITEM - -	ITEM - -

ITEM 63 [gr]	ASSE VITE (1648/RID) SCREW AXLE (1648/RID)	ITEM 71 [gr]	ASSE VITE RID/M6x55 SCREW AXLE RID/M6x55	ITEM 291 [gr]	M6
21		14		2	M6
ITEM 56 [gr]	ASSE RIB 50/2/ASR RIVETED AXLE 50/2/ASR			ITEM 8010 x [gr]	TUBINO TUBE
20				4 2	
ITEM [gr] x	PARAFILI per RUOTE 50/LGd THREADGUARDS for WHEELS 50/LGd			ITEM [gr] x	PARAFILI per RUOTE 50LGcA THREADGUARDS for WHEELS 50LGcA
362 2 4				391 3 4	
ITEM [gr] x	PARAFILI NYLON GRIS PER RUOTE 50/LGCC GREY NYLON THREADGUARDS FOR WHEELS 50/LGCC	ITEM [gr] x	PARAFILI per RUOTE 50LGcA THREADGUARDS for WHEELS 50LGcA		
377 2 4		391 4 2 395 2 2			

Peso per 1 pezzo =   
Weight for a piece =

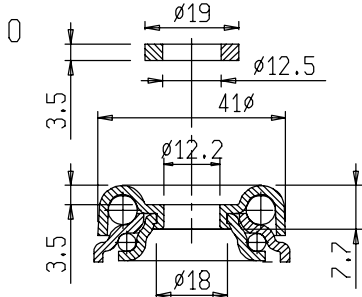
Gamma di Fissaggi Standard per Supporti Serie 36/2-50/2-50/2FT

Range of standard fixings for forks of the 36/2-50/2-50/2FT

A Foro Passante  $\phi 12.2$   
per Vite di Fissaggio Imbus M12x20  
Rondella di Appoggio a Richiesta(\*)  
With bolt hole of  $\phi 12.2$  for  
fixing screw IMBUS M12x20  
Supporting washer on request (\*)

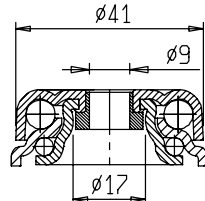
A Foro Passante  $\phi 9$   
per Vite di Fissaggio Imbus M8x25 (\*)  
With bolt hole of  $\phi 9$  for  
fixing screw IMBUS M8x25

A Foro Passante  $\phi 10.2$   
per Vite di Fissaggio Imbus M10x25 (\*)  
With bolt hole of  $\phi 10.2$  for  
fixing screw IMBUS M10x25



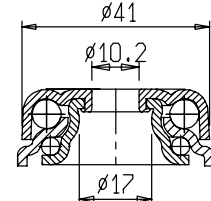
\* Lunghezza della Vite Inseribile  
con Ruota Assemblata  
\* Length of screw that can be inserted  
with assembled wheel

B8 FORNIBILE SU RICHIESTA  
AVAILABLE ON REQUEST



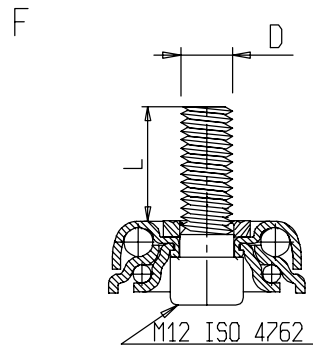
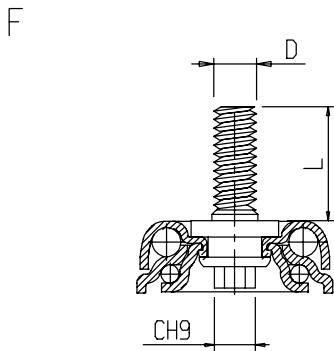
\* Lunghezza della Vite Inseribile  
con Ruota Assemblata  
\* Length of screw that can be inserted  
with assembled wheel

B10



\* Lunghezza della Vite Inseribile  
con Ruota Assemblata  
\* Length of screw that can be inserted  
with assembled wheel

A Perno Filettato Rivettato eo Vite Imbus fissata  
Dimensioni da tabella da Specificare sempre all' Ordine  
With riveted thread stem, and/or fixed Imbus screw  
dimensions as per table to be specified when placing order

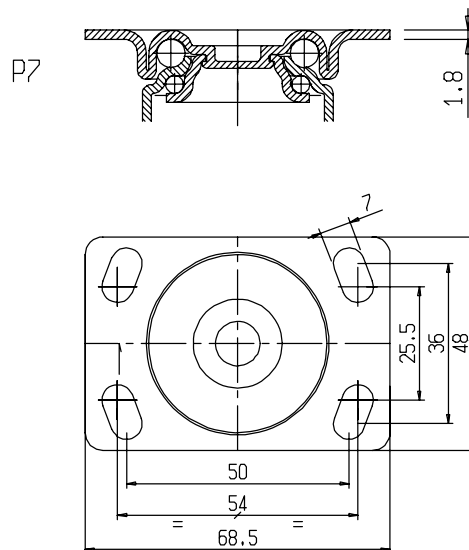
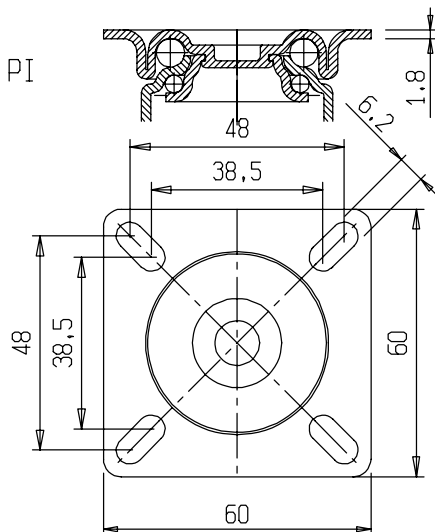


D	M10	M12
L	15-20-25-30	15-25

D	M12
L	9-13-18-23-28-33-38-43-53

Fissaggio a Piastra Integrale PI 60x60  
Integral plate fixing PI 60x60

Fissaggio a Piastra Integrale P7 68,5x48  
Integral plate fixing P7 68,5x 48



Diverse Asolature sono Eseguibili ,Inscritte nel Perimetro Esterno  
Possibility of various slots made in the external perimeter

Diverse Asolature sono Eseguibili ,Inscritte nel Perimetro Esterno  
Possibility of various slots made in the external perimeter

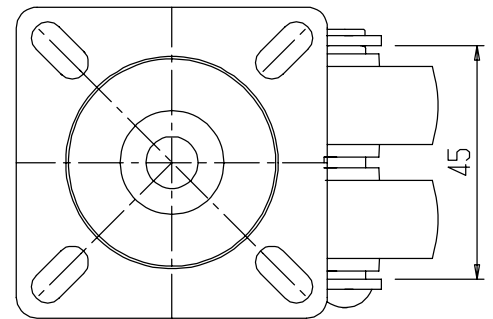
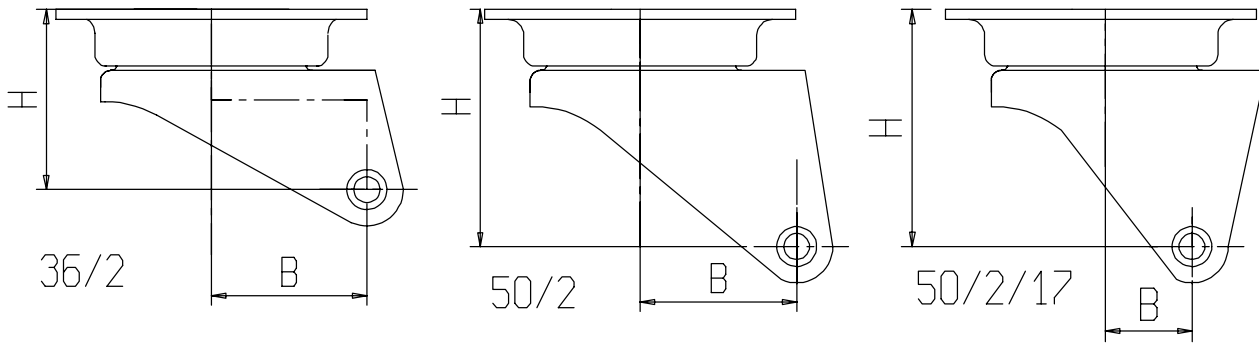
# Supporti girevoli Serie 2 per i vari Diametri di Ruote e Gamma di Fissaggi

## Swivel forks of the 2 series for the various wheels diameters and range of fixings

Materiale: Lamiera ferro secondo standard EN 10130  
 Trattamento superficiale: Zincatura passivata UNI ISO 2081  
 Corona sfere superiore: n. 14 sfere 1/4" ingrassate  
 Corona sfere inferiore: n. 22 sfere 5/32" ingrassate  
 Material: Iron sheet subject to EN 10130  
 Surface treatment: passivated galvanisation subject to UNI ISO 2081  
 Upper ball crown N. 14 greased ball 1/4  
 Lower ball crown N. 22 greased ball 5/32

\* La portata statica indicata per i soli supporti corrisponde a 1.5 portata dinamica verificata secondo UNI 12527 montando una ruota in Nylon  
 \* The static load capacity mentioned for the only forks correspond to 1.5 dynamic load capacity checked according to UNI 12527 assembling with a nylon wheel

S Portata Statica conforme UNI EN 12527 \* = Peso per 1 pezzo  
 S Static Load Capacity conform UNI EN 12527 \* = Weight for a piece



ITEM			Rondella Washer		
123	5	-			
	0	B10 $\phi 10.2$ a Richiesta On request B8 $\phi 9$	F M10 M12 CH9	PI 60x60	P7 68.5x48
ITEM	36/2/0	36/2/B10	36/2/F	36/2/PI	36/2/P7
H	36	36	36	36	36
B	30	30	30	30	30
S	60	60	60	60	60
	105	133	154	172	169
ITEM	50/2/0	50/2/B10	50/2/F	50/2/PI	50/2/P7
H	47	47	47	47	47
B	31	31	31	31	31
S	60	60	60	60	60
	141	147	172	190	187
ITEM	50/2/0/17	50/2/B10/17	50/2/F/17	50/2/PI/17	50/2/P7/17
H	47	47	47	47	47
B	17	17	17	17	17
S	67	67	67	67	67
	141	147	172	190	187

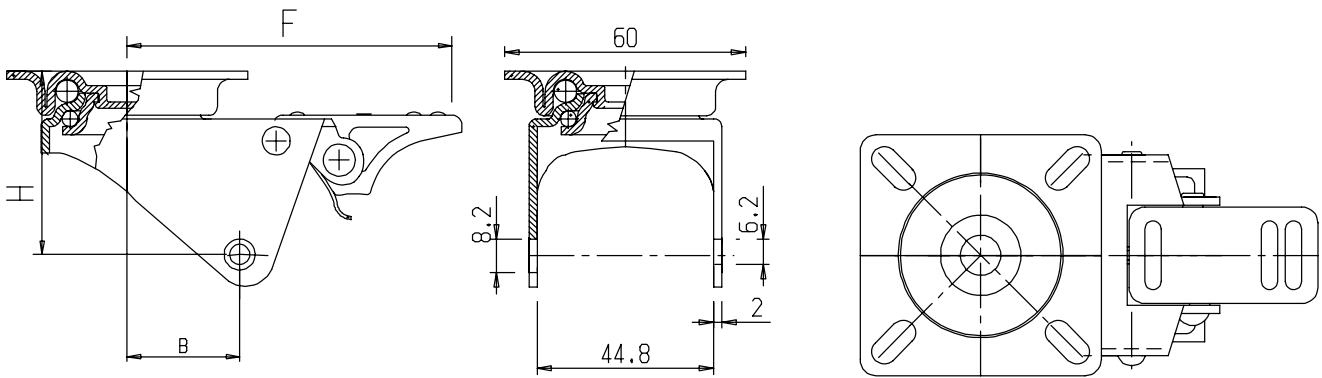
Supporti girevoli con freno Serie 2FT per i vari Diametri di Ruote e Gamma di Fissaggi  
 Swivel forks with brake of the 2FT series for the various wheels diameters and range of fixings

Materiale: Lamiera ferro secondo standard EN 10130  
 Trattamento superficiale: Zincatura passivata UNI ISO 2081  
 Corona sfere superiore: n. 14 sfere 1/4" ingrassate  
 Corona sfere inferiore: n. 22 sfere 5/32" ingrassate  
 Material: Iron sheet subject to EN 10130  
 Surface treatment: passivated galvanisation subject to UNI ISO 2081  
 Upper ball crown N. 14 greased ball 1/4  
 Lower ball crown N. 22 greased ball 5/32

\* La portata statica indicata per i soli supporti corrisponde a 1.5 portata dinamica verificata secondo UNI 12527 montando una ruota in Nylon

\* The static load capacity mentioned for the only forks correspond to 1.5 dynamic load capacity checked according to UNI 12527 assembling with a nylon wheel

Portata Statica conforme UNI EN 12527 \* = Peso per 1 pezzo  
 Static Load Capacity conform UNI EN 12527 \* = Weight for a piece

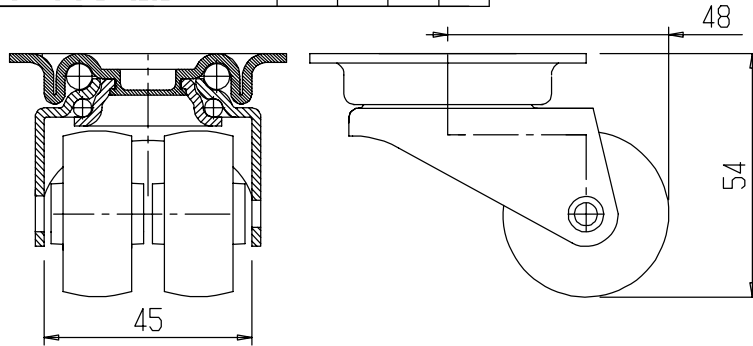


50/2FT

ITEM			Rondella Washer		
123	5	-			
	0	B10 $\phi 10.2$ a Richiesta On request	F	PI 60x60	P7 68,5x48
		B8 $\phi 9$	 M10 M12 CH9		
		$\phi 12.2$			
		$\phi 10.2$			
ITEM	50/2FT/0	50/2FT/B10	50/2FT/F	50/2FT/PI	50/2FT/P7
H	47	47	47	47	47
B	28	28	28	28	28
F	84	84	84	84	84
	52	52	52	52	52
	192	195	218	239	236

Compressivi girevoli Serie 36/2 nelle varie tipologie di:Fissaggi,Ruote assemblati  
Swivel castors of the 36/2 series with different types of fixings, assembled wheels

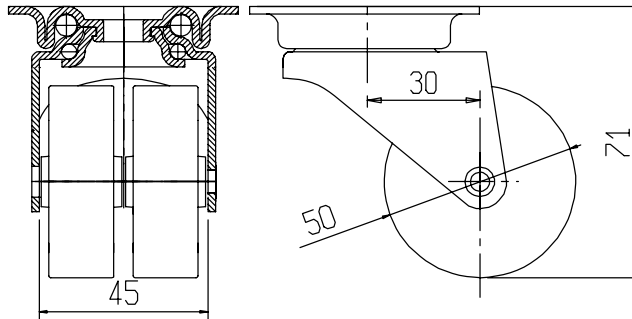
Requisiti dei Compressivi assemblati alle varie Ruote Requirements of the castors assembled with the different wheels	N	SR	PU
Portata Dinamica conforme UNI EN 12527 Dynamic load capacity conform UNI EN 12527	D 40	45	60
Portata Statica conforme UNI EN 12527 Static load capacity conform UNI EN 12527	S 60	67.5	90



ITEM			Rondella Washer	B10	F	PI 60x60	P7 68.5x48
123	5	-					
= Peso per 1 pezzo = Weight for a piece			 0 $\phi 12,2$	 $\phi 10,2$	 M10 M12 CH9		
36LNx2		ITEM	36/2/N0	36/2/NB10	36/2/NF	36/2/NPI	36/2/NP7
			145	181	207	220	217
36LSRx2		ITEM	36/2/SR0	36/2/SRB10	36/2/SRF	36/2/SRPI	36/2/SRP7
			143	179	205	220	217
36LPUx2		ITEM	36/2/PU0	36/2/PUB10	36/2/PUF	36/2/PUPI	36/2/PUP7
			143	179	205	220	217

Compressivi girevoli Serie 50/2 nelle varie tipologie di Fissaggi, Ruote assemblati  
Swivel castors of the 50/2 series with different types of fixings, assembled wheels

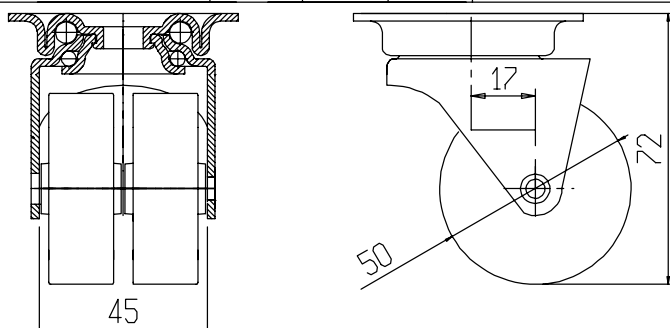
Requisiti dei Compressivi assemblati alle varie Ruote Requirements of the castors assembled with the different wheels	N	G	Gd	GCC	GdA	GcA	SR	SRd	PU	PU36	NSF	BIANCO WHITE	NYLON
Portata Dinamica conforme UNI EN 12527 Dynamic load capacity conform UNI EN 12527		40	60	60	60	-	-	50	50	90	80	45	
Portata Statica conforme UNI EN 12527 Static load capacity conform UNI EN 12527		60	90	90	90	-	-	75	75	135	120	67.5	
Conducibilita' Elettrica conforme UNI EN 12527 Electric conductivity in compliance with UNI EN 12527					< 10.000								



ITEM			Rondella Washer	B10 ø10.2 a Richiesta B8 ø9	F	PI 60x60	P7 68,5x48
123	5	-					
= Peso per 1 pezzo = Weight for a piece							
50LNx2		ITEM	50/2/N0	50/2/NB10	50/2/NF	50/2/NPI	50/2/NP7
			196	202	209	225	222
50LGx2		ITEM	50/2/G0	50/2/GB10	50/2/GF	50/2/GPI	50/2/GP7
			255	260	285	301	298
50LGdX2		ITEM	50/2/Gd0	50/2/GdB10	50/2/GdF	50/2/GdPI	50/2/GdP7
			263	268	293	316	313
50GCCx2		ITEM	50/2/GCC0	50/2/GCCB10	50/2/GCCF	50/2/GCCPI	50/2/GCCP7
			259	264	289	306	303
50LGdAX2		ITEM	50/2/GdA0	50/2/GdAB10	50/2/GdAF	50/2/GdAPI	50/2/GdAP7
			-	-	-	-	-
50GcAX2		ITEM	50/2/GcA0	50/2/GcAB10	50/2/GcAF	50/2/GcAPI	50/2/GcAP7
			-	-	-	-	-
50LSRx2		ITEM	50/2/SR0	50/2/SRB10	50/2/SRF	50/2/SRPI	50/2/SRP7
			230	235	260	276	273
50LPx2		ITEM	50/2/PU0	50/2/PUB10	50/2/PUF	50/2/PUPI	50/2/PUP7
			253	258	293	300	297
502PU36		ITEM	50/2/PU360	50/2/PU36B10	50/2/PU36F	50/2/PU36PI	50/2/PU36P7
			-	-	-	-	-
50230NSFx1		ITEM	50/2/NSF0	50/2/NSFB10	50/2/NSFF	50/2/NSFPI	50/2/NSFP7
			193	199	206	222	219

Compressivi girevoli Serie 50/2/17 nelle varie tipologie di: Fissaggi, Ruote assemblati  
Swivel castors of the 50/2/17 series with different types of fixings, assembled wheels

Requisiti dei Compressivi assemblati alle varie Ruote Requirements of the castors assembled with the different wheels	N	G	Gd	GCC	GdA	GcA	SR	SRd	PU	PU36	NSF	BIANCO WHITE	NYLON
Portata Dinamica conforme UNI EN 12527 Dynamic load capacity conform UNI EN 12527		45	60	60	60	-	-	40	40	100	-	70	
Portata Statica conforme UNI EN 12527 Static load capacity conform UNI EN 12527		67	90	90	90	-	-	60	60	150	-	105	
Conducibilita'Elettrica conforme UNI EN 12527 Electric conductivity in compliance with UNI EN 12527	$\Omega$ hom							< 10.000					

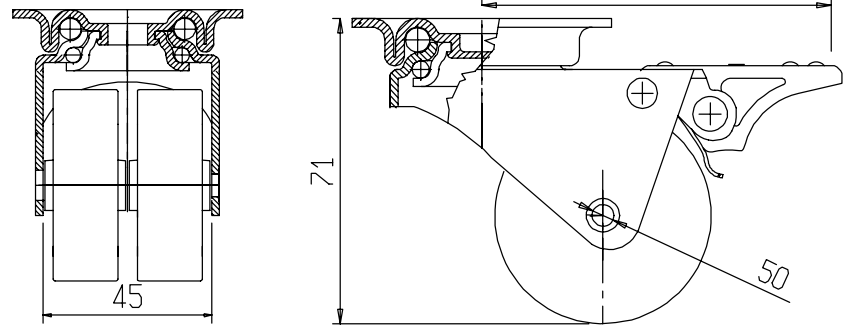


ITEM			Rondella Washer	B10 $\phi$ 10.2 a Richiesta On request B8 $\phi$ 9	F	PI 60x60	P7 68.5x48
123	5	-					
= Peso per 1 pezzo = Weight for a piece			$\phi$ 12.2	$\phi$ 10.2	$\phi$ 9		
50LNx2		ITEM	50/2/NO/17	50/2/NB10/17	50/2/NF/17	50/2/NPI/17	50/2/NP7/17
			196	202	209	225	222
50LGx2		ITEM	50/2/G0/17	50/2/GB10/17	50/2/GF/17	50/2/GPI/17	50/2/GP7/17
			255	260	285	301	298
50LGd2		ITEM	50/2/Gd0/17	50/2/GdB10/17	50/2/GdF/17	50/2/GdPI/17	50/2/GdP7/17
			263	268	293	316	313
50GCCx2		ITEM	50/2/GCC0/17	50/2/GCCB10/17	50/2/GCCF/17	50/2/GCCPI/17	50/2/GCCP7/17
			259	264	289	306	303
50LGdAx2		ITEM	50/2/GdA0/17	50/2/GdAB10/17	50/2/GdAF/17	50/2/GdAPI/17	50/2/GdAP7/17
			-	-	-	-	-
50GcAx2		ITEM	50/2/GcA0/17	50/2/GcAB10/17	50/2/GcAF/17	50/2/GcAPI/17	50/2/GcAP7/17
			-	-	-	-	-
50LSRx2		ITEM	50/2/SR0/17	50/2/SRB10/17	50/2/SRF/17	50/2/SRPI/17	50/2/SRP7/17
			230	235	260	276	273
50LPx2		ITEM	50/2/PU0/17	50/2/PUB10/17	50/2/PUF/17	50/2/PUPI/17	50/2/PUP7/17
			253	258	293	300	297
502PU36		ITEM	50/2/PU360/17	50/2/PU36B10/17	50/2/PU36F/17	50/2/PU36PI/17	50/2/PU36P7/17
			-	-	-	-	-
50230NSFx1		ITEM	50/2/NSF0/17	50/2/NSFB10/17	50/2/NSFF/17	50/2/NSFPI/17	50/2/NSFP7/17
			193	199	206	222	219



Compressivi girevoli con freno Serie 50/2FT nelle varie tipologie di: Fissaggi, Ruote assemblati  
 Swivel castors with brake of the 50/2FT series with different types of fixings, assembled wheels

Requisiti dei Compressivi assemblati alle varie Ruote Requirements of the castors assembled with the different wheels	N	G	Gd	GCC	GdA	GcA	SR	SRd	PU	PU36	NSF BIANCO WHITE NYLON	
Portata Dinamica conforme UNI EN 12527 Dynamic load capacity conform UNI EN 12527		40	60	60	60	-	-	50	50	90	80	45
Portata Statica conforme UNI EN 12527 Static load capacity conform UNI EN 12527		60	90	90	90	-	-	75	75	135	120	67.5
Conducibilita' Elettrica conforme UNI EN 12527 Electric conductivity in compliance with UNI EN 12527	$\Omega$ hom					< 10.000						



ITEM			Rondella Washer	B10 ø10,2 a Richiesta On request B8 ø9	F	PI 60x60	P7 68.5x48
123	5	-					
= Peso per 1 pezzo = Weight for a piece			$\phi 12,2$	$\phi 10,2$	$M10$ $M12$		
50LNx2		ITEM	50/2FT/ND	50/2FT/NB10	50/2FT/NF	50/2FT/NPI	50/2FT/NP7
			246	253	263	293	290
50LGx2		ITEM	50/2FT/G0	50/2FT/GB10	50/2FT/GF	50/2FT/GPI	50/2FT/GP7
			304	311	330	351	348
50LGd2		ITEM	50/2FT/Gd0	50/2FT/GdB10	50/2FT/GdF	50/2FT/GdPI	50/2FT/GdP7
			312	319	338	367	364
50GCCx2		ITEM	50/2FT/GCC0	50/2FT/GCCB10	50/2FT/GCCF	50/2FT/GCCPI	50/2FT/GCCP7
			309	316	335	356	353
50LGdA2		ITEM	50/2FT/GdA0	50/2FT/GdAB10	50/2FT/GdAF	50/2FT/GdAPI	50/2FT/GdAP7
			-	-	-	-	-
50LGcA2		ITEM	50/2FT/GcA0	50/2FT/GcAB10	50/2FT/GcAF	50/2FT/GcAPI	50/2FT/GcAP7
			-	-	-	-	-
50LSRx2		ITEM	50/2FT/SR0	50/2FT/SRB10	50/2FT/SRF	50/2FT/SRPI	50/2FT/SRP7
			279	286	305	326	323
50LPx2		ITEM	50/2FT/PU0	50/2FT/PUB10	50/2FT/PUF	50/2FT/PUPI	50/2FT/PU7
			302	307	342	349	346
502PU36		ITEM	50/2FT/PU360	50/2FT/PU36B10	50/2FT/PU36F	50/2FT/PU36PI	50/2FT/PU36P7
			-	-	-	-	-
50230NSFx1		ITEM	50/2FT/NSF0	50/2FT/NSFB10	50/2FT/NSFF	50/2FT/NSFPI	50/2FT/NSFP7
			243	250	260	290	287